

GN 923.40



GN 924.40



Disc handwheel Ø 100

for linear actuators Ø 40

SPECIFICATION

Type

- Type **R**: with revolving handle

Bore code

- Version **K**: with keyway

Aluminium die casting

Hub machined

Rim turned

plastic coated

black, RAL 9005, textured finish **SW**

Concentric runout and axial runout deviation of the rim < 0.4

Revolving handles GN 798.2 (see page 578)

Plastic, Technopolymer

black, matt

INFORMATION

- Linear actuators GN 291 (see page 1912)

- Linear actuators GN 291.1 (see page 1930)

Spoked handwheel Ø 125

for linear actuators Ø 40

SPECIFICATION

Type

- Type **R**: with revolving handle

Bore code

- Version **K**: with keyway

Aluminium die casting

Hub machined

Rim turned

plastic coated

black, RAL 9005, textured finish **SW**

Concentric runout and axial runout deviation of the rim < 0.4

Revolving handles GN 798.2 (see page 578)

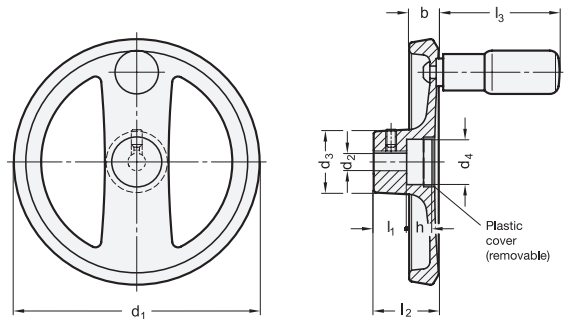
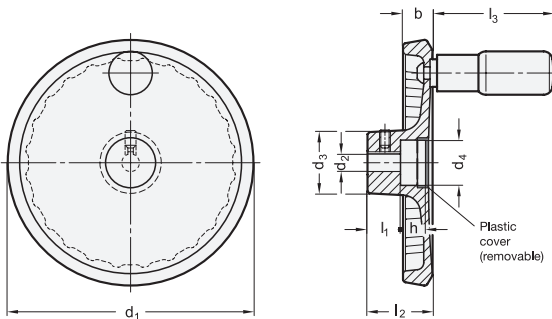
Plastic, Technopolymer

black, matt

INFORMATION

- Linear actuators GN 291 (see page 1912)

- Linear actuators GN 291.1 (see page 1930)



GN 923.40

| Description | d1 | d2 | d3 | d4 | b | h | l1 | l2 | l3 ≈ | Ø Handle GN 798 | ⚖ |
|---------------------|-----|----|----|----|----|-----|----|----|------|-----------------|-----|
| GN 923.40-100-K12-R | 100 | 12 | 28 | 22 | 14 | 9.5 | 17 | 30 | 61.5 | 18 | 180 |

GN 924.40

| Description | d1 | d2 | d3 | d4 | b | h | l1 | l2 | l3 ≈ | Ø Handle GN 798 | ⚖ |
|---------------------|-----|----|----|----|----|----|----|------|------|-----------------|-----|
| GN 924.40-125-K12-R | 125 | 12 | 31 | 23 | 15 | 11 | 18 | 33.5 | 61.5 | 22 | 340 |